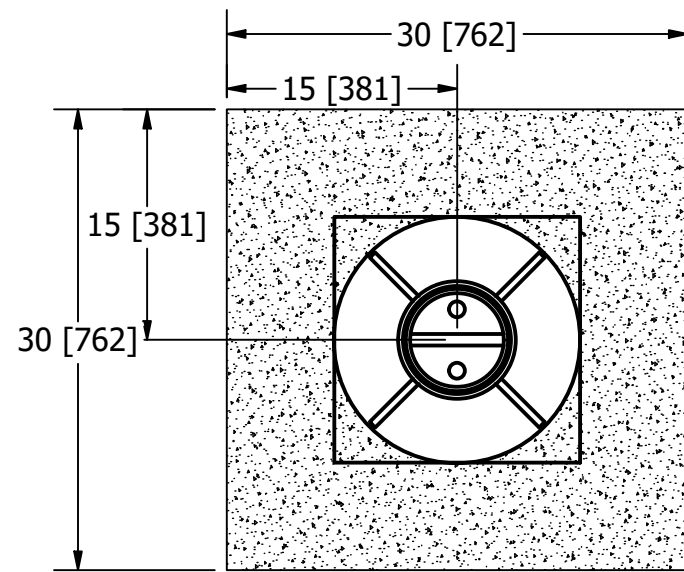
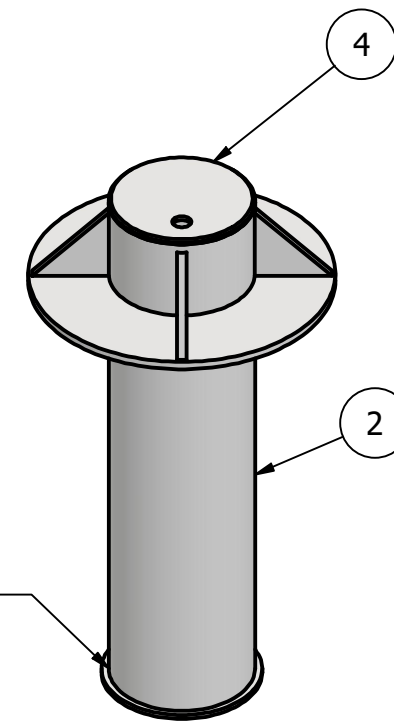


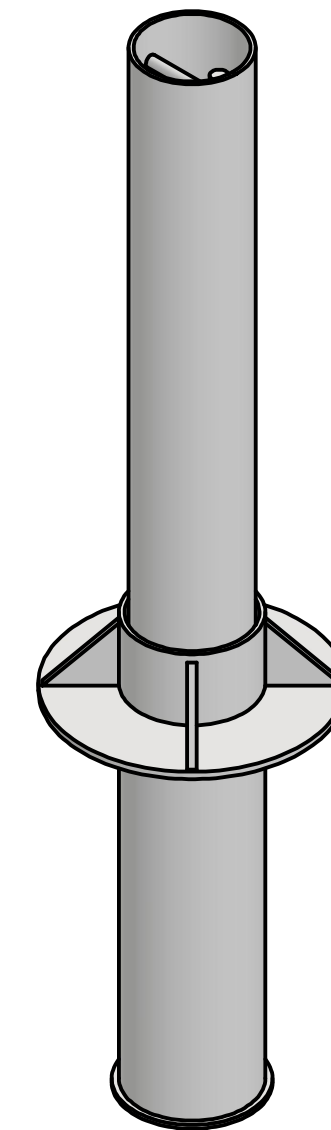
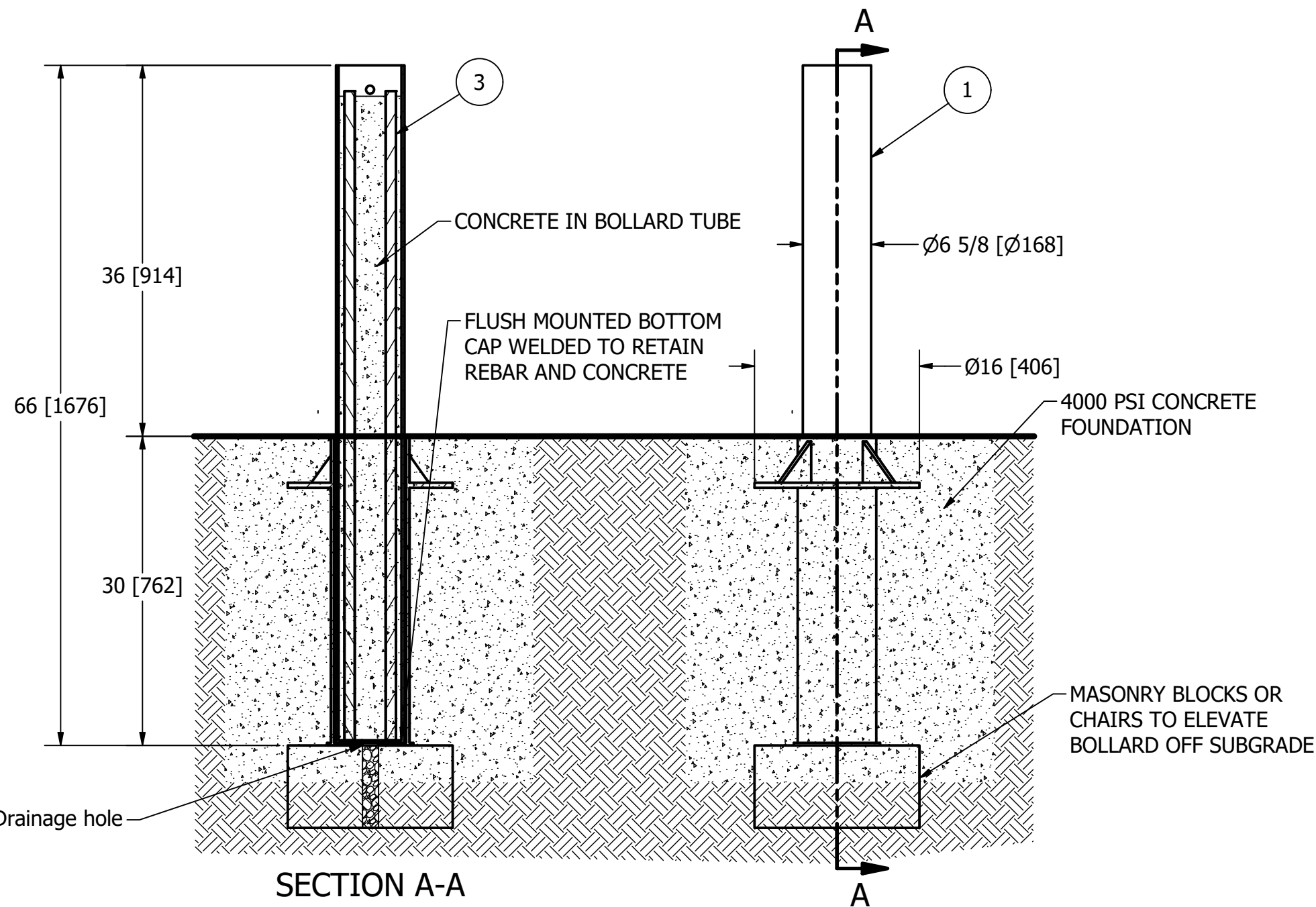
Crash Rated Bollard R-1009-40-R



BOTTOM SLEEVE CAP
WELDED WITH HOLE
FOR DRAINAGE



BOLLARD SLEEVE WITH CAP



BOLLARD SLEEVE WITH
REMOVABLE BOLLARD



PATRIOT
BUY AMERICA

General Description:

R-1009-40-R C40-equivalent removable crash-protective bollards can be depended upon for exceptional stopping power and impact resistance. The R-1009-40-R has been engineered to withstand a vehicle up to 2,340 pounds traveling at 40 mph (C40 equivalent). No assembly or specialty subgrade is required, making for a very easy-to-install security bollard. Removing the bollard is straightforward: Insert a lifting handle through the top of the bollard, and lift the bollard out of the bollard sleeve using a forklift or other equipment. To increase aesthetics, place bollard covers over security bollards.

For more information on bollard post installation, please visit:
www.reliance-foundry.com/bollard/installation-bollards

Specifications:

Total Height: 66" [1676]

Height above grade: 36" [914]

Height below grade: 30" [762]

Body Diameter: 16" [406]

Weight (Bollard Post): 126 lbs [57kg]

Material: Steel

Notes:

- Embedment details are for reference illustration only. Minimum foundation sizes depend on local soil conditions, weather conditions, and engineering requirements.
- Bollard is provided as shown, with parts listed below. Concrete foundation and/or installation not provided by Reliance Foundry.
- This drawing is not drawn to scale. Dimensions provided herein is for reference only. Please consult Reliance Foundry sales professionals if any dimension is critical to your particular installation.
- Reliance Foundry reserves the right to amend design and specifications without prior notice for product improvement.

PARTS LIST				
ITEM	QTY	PART NUMBER	DESCRIPTION	WEIGHT (lbs)
1	1	R-1009-40-R Removable Bollard	R-1009-40-R Removable Bollard	126
2	1	R-1009-40-R Removable Sleeve	R-1009-40-R Removable Sleeve	90
3	2	Rebar	#6 Rebar 3/4in OD, x 62in Long (Included with Bollard)	-
4	1	R-1009-40-R Cap (Optional)	R-1009-40-R Cap (Optional)	4

RELIANCE FOUNDRY
SINCE 1925

Unit 207, 6450 - 148 Street, Surrey, BC V3S 7G7, Canada
1-877-789-3245 info@reliance-foundry.com
www.reliance-foundry.com

TITLE
Crash Rated Bollard R-1009-40-R

SIZE C DWG NO R-1009-40-R_public REV A06

NOT TO SCALE UNLESS OTHERWISE SPECIFIED: DIMS ARE IN INCHES [MILLIMETERS] SHEET 1 OF 1