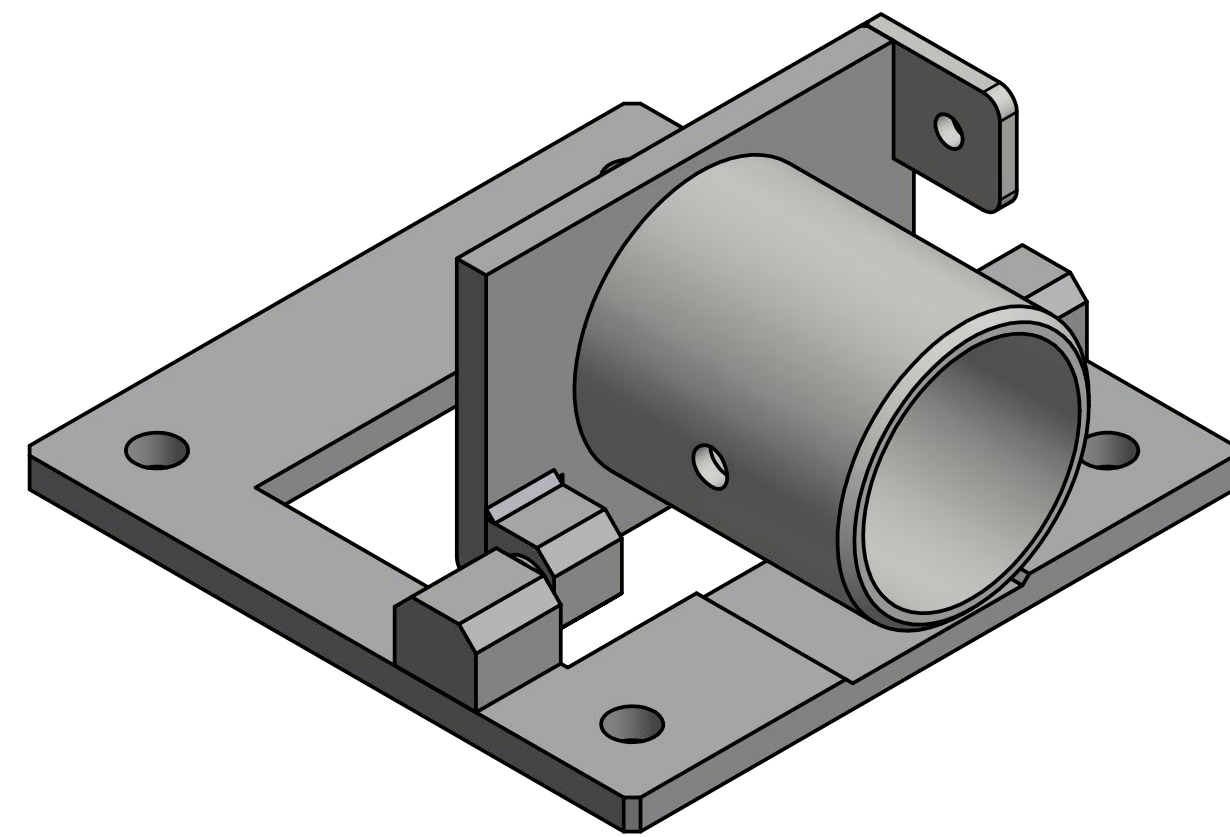
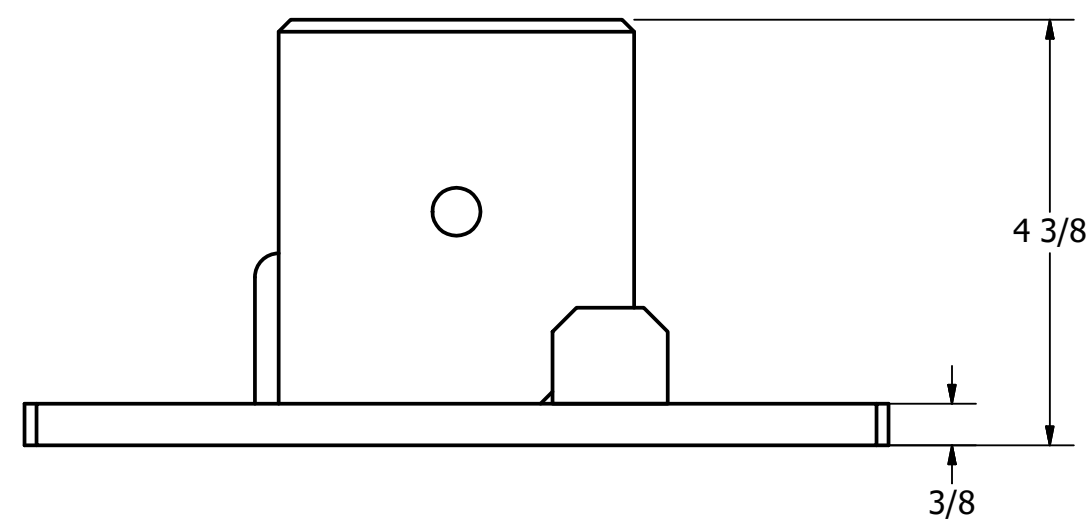


Up Position



Down Position



Installation Dimension

Hot Dip Galvanized Steel Construction w/ Stainless Steel Hinge Pin  
Weight: 15 lbs

Notes:

- 1) Embedment details are for reference illustration only. Minimum foundation sizes depend on local soil conditions, weather conditions, and engineering requirements.
- 2) Bollard post is provided as shown, with material detailed in legend below. Concrete, foundation and/or installation ordered separately or provided by others.
- 3) This drawing is not drawn to scale. Dimensions provided herein is for reference only. Please consult Reliance Foundry sales professionals if any dimension is critical to your particular installation.
- 4) Reliance Foundry reserves the right to amend design and specifications without prior notice for product improvement.

**RELIANCE FOUNDRY**  
SINCE 1925

Unit 207, 6450 - 148 Street, Surrey, BC V3S 7G7, Canada  
1-888-735-5680 info@reliance-foundry.com  
www.reliance-foundry.com

TITLE

**Fold Down Bollard Mounting**

SIZE  
C

DWG NO  
R-7950A

REV  
C2