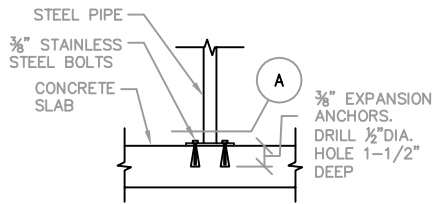
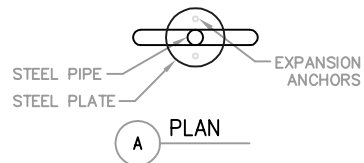
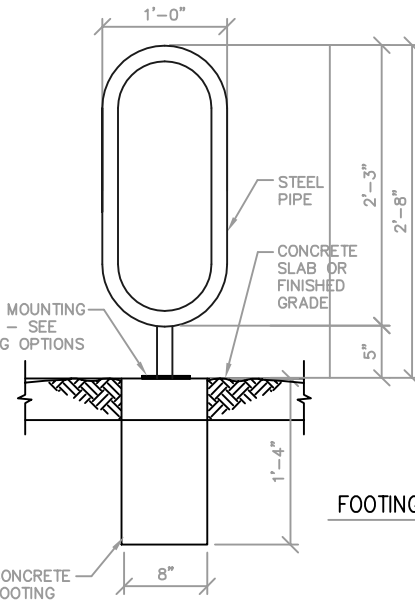


MOUNTING OPTIONS

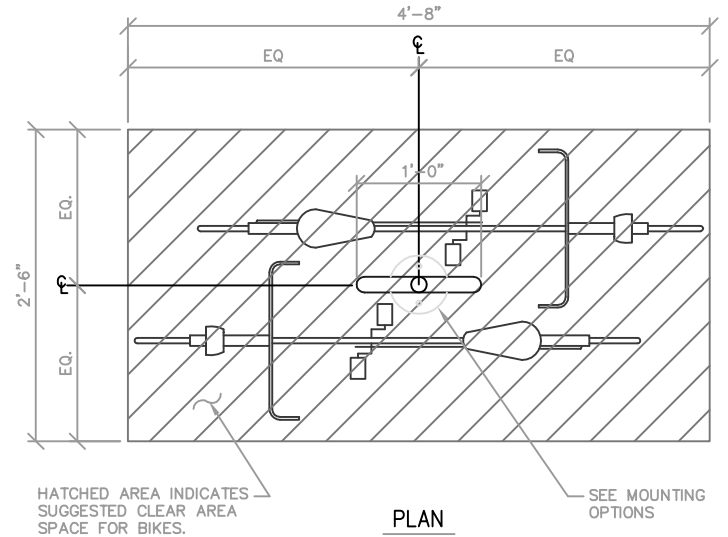


STEEL PLATE MOUNT

ELEVATION



FOOTING EMBED MOUNT



RELIANCE FOUNDRY Co. Ltd.

#207 - 6450 148TH ST. SURREY BC V3S 7G7
1-888-735-5680 WWW.RELIANCE-FOUNDRY.COM

					FILE		SCALE		APPR. BY.	
					DATE Feb 5, 2010		NTS			
					DRAWN		DRAWING NUMBER		R-8201	
					CHKD		DESIGN			
ISSUE NO.	D M Y DATE	DESCRIPTION	DR	CH	APP			SIZE	REV.	

COPYRIGHT RESERVED
THIS PLAN AND DESIGN ARE, AND AT ALL TIMES, REMAIN THE EXCLUSIVE PROPERTY OF RELIANCE FOUNDRY CO. LTD. AND CANNOT BE USED OR REPRODUCED WITHOUT WRITTEN CONSENT.

FABRICATOR TO VERIFY ALL DIMENSIONS BEFORE PROCEEDING. DIMENSIONS ALWAYS TAKE PRECEDENCE OVER SCALE DIMENSIONS. ALL CONSTRUCTION SHALL COMPLY WITH THESE APPROVED DRAWINGS AND THE OWNER'S REPRESENTATIVE.